

# User's Manual



## in.stream

wireless music streamed into  
your yard

Use Bluetooth wireless  
technology to listen  
to music in your spa,  
with minimal installation!





## Table of contents

Warnings.....	2
Introduction .....	5
Overview .....	6
Mount on a horizontal or vertical surface .....	7
Installation of in.k113 single switch .....	7
Installation of in.k175 keypad with adhesive .....	8
Wiring diagram .....	9
Speakers and supply .....	9
Connecting the keypad to in.stream .....	10
Wireless set-up .....	11
Basic operation/in.k175 .....	12
Basic operation/in.k113 .....	13
Specifications .....	14



## Warnings



### WARNINGS:

Before installing or connecting the unit, please read the following.

---

#### DO NOT DISASSEMBLE OR ALTER.

Doing so may result in an accident, fire or electrical shock.

#### USE THE CORRECT AMPERE RATING WHEN REPLACING FUSES.

Failure to do so may result in fire or electrical shock.

#### DO NOT BLOCK RADIATOR PANEL.

Doing so may cause heat to build up inside and may result in fire.

#### DO NOT PLACE HANDS OR FINGERS ON RADIATOR PANEL.

Doing so may result in personal injury.

#### DO NOT USE FOAM TO ISOLATE THE UNIT.

Doing so may cause heat to build up inside and may result in fire.

#### INSTALL UNIT 1" AWAY FROM OTHER SURFACES.

Make sure to leave a clearance of at least 1" from other surfaces.

## Maintenance

If you have problems, do not attempt to repair the unit yourself. Return it to your dealer or service station for servicing.

## Accessory parts

Be sure to use only the specified accessory parts. Use of other than designated parts may damage this unit internally or may not securely install the unit in place. This may cause parts to become loose resulting in hazards or product failure.

## Disposal of the product

The appliance (or the product) must be disposed of separately in accordance with the local waste disposal legislation in force.



### WARNINGS:

When this equipment is provided as an audio/video component for spas, UL 1563 - 6th edition requires that the following instructions (or equivalent) be provided as part of the instruction manual for the spa equipment.

---

## PREVENT ELECTROCUTION

Do not connect any auxiliary components (for example cable, additional speakers, headphones, additional audio/video components, etc) to the system.

Do not service this product yourself as opening or removing covers may expose you to dangerous voltage or other risk of injury.  
Refer all servicing to qualified service personnel.

When the power supply connections or power supply cord(s) are damaged; if water is entering the audio/video compartment or any electrical equipment compartment area, if the protective shields or barriers are showing signs of deterioration; or if there are signs of other potential damage to the unit, turn off the unit and refer servicing to a qualified service personnel.

Aeware®, Gecko®, and their respective logos are Registered Trademarks of Gecko Alliance Group. in.k175™, In.k113™, and in.stream™, and their respective logos are Trademarks of Gecko Alliance Group.

The Bluetooth® word mark and logos are registered trademarks owned by Bluetooth SIG, Inc. and any use of such marks by Gecko Alliance is under license.

All other product or company names that may be mentioned in this publication are tradenames, trademarks or registered trademarks of their respective owners.

---



### FCC WARNING:

---

This device complies with Part 15 of the FCC Rules. Operation is subject to the following two conditions:

- (1) this device may not cause harmful interference, and
- (2) this device must accept any interference received, including interference that may cause undesired operation. Changes or modifications not expressly approved by the party responsible for compliance could void the user's authority to operate the equipment.

**NOTE:** This equipment has been tested and found to comply with the limits for a Class B digital device, pursuant to Part 15 of the FCC Rules. These limits are designed to provide reasonable protection against harmful interference in a residential installation. This equipment generates, uses and can radiate radio frequency energy and, if not installed and used in accordance with the instructions, may cause harmful interference to radio communications. However, there is no guarantee that interference will not occur in a particular installation. If this equipment does cause harmful interference to radio or television reception, which can be determined by turning the equipment off and on, the user is encouraged to try to correct the interference by one or more of the following measures:

- Reorient or relocate the receiving antenna.
- Increase the separation between the equipment and receiver.
- Connect the equipment into an outlet on a circuit different from that to which the receiver is connected.
- Consult the dealer or an experienced radio/TV technician for help.

FCC RF warning statement: The device has been evaluated to meet general RF exposure requirement. The device can be used in portable exposure condition without restriction.



## RTTE WARNING

---

RTTE Warning (2.4G)

National Restrictions

This device is intended for home and office use in all EU countries (and other countries following the EU directive 1999/5/EC) without any limitation except for the countries mentioned below:

Country	Restriction	Reason/remark
France	Outdoor use limited to 10 mW e.i.r.p. within the band 2454-2483.5 MHz.	Military Radiolocation use. Refarming of the 2.4 GHz has been ongoing in recent years to allow current relaxed regulation. Full implementation planned 2012.
Italy	None	For private use, a general authorisation is required if WAS/ RLAN's are used outside own premises. For public use, a general authorisation is required.
Norway	Implemented	This subsection does not apply for the geographical area within a radius of 20 km from the centre of Ny-Ålesund.
Russian Federation	None	Indoor applications

## RTTE STATEMENT:

Hereby, Gecko Alliance, 450 des Canetons, Quebec City (QC) G2E 5W6 Canada, declares that this Audio equipment, in.stream, is in compliance with the essential requirements and other relevant provisions of Directive 1999/5/EC.

## IC WARNING

---

This device complies with Industry Canada licence-exempt RSS standard(s). Operation is subject to the following two conditions: (1) this device may not cause interference, and (2) this device must accept any interference, including interference that may cause undesired operation of the device.

2. Changes or modifications not expressly approved by the party responsible for compliance could void the user's authority to operate the equipment.

## RSS-102 STATEMENT:

This equipment complies with Industry Canada radiation exposure limits set forth for an uncontrolled environment.



## Introduction



# in.stream

## Wireless music streamed into your yard!

The in.stream audio system provides the perfect way to bring music to your spa. In.stream is simple to install and compatible with many audio sources, such as iPods and smart phones equipped with Bluetooth wireless technology.

The in.stream design is based on its predecessor, the in.chant, and it shares the same sleek enclosure that has been thoroughly used and proven in the spa environment.

Just pair your device and start playing your favorite music. Digital music files or internet radio from your phone will be sent wirelessly to the in.stream device located under the spa.

The in.stream system is equipped with a transceiver and an amplifier to host your speakers.

### Main features

Fully waterproof

Speaker outputs 40 Watts x 4 ch.

Auxiliary input

Transceiver for Bluetooth wireless technology

### Accessories

In order to use the in.stream system you must also have either the in.k175 keypad or the in.k113 single switch.

### Product numbers

#### in.k175

0707-005012: IN.K175-BK-SPA-AE3

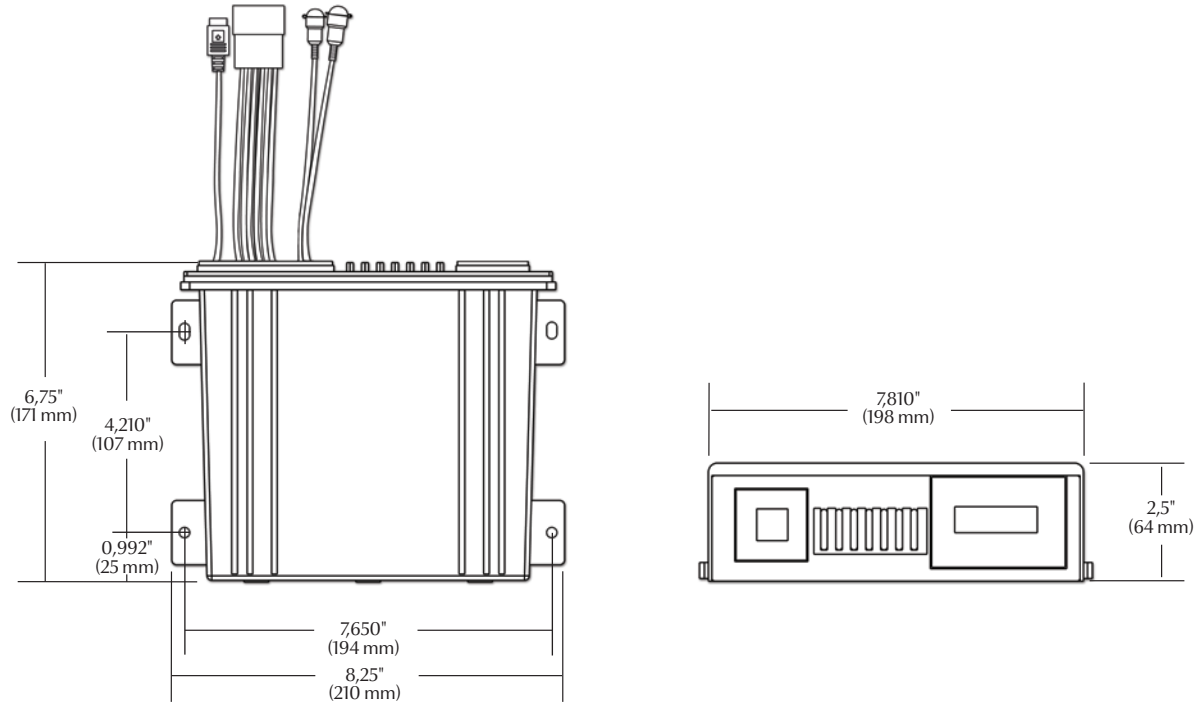
#### in.k113

0707-008001: IN.K113-CL-20-AE1



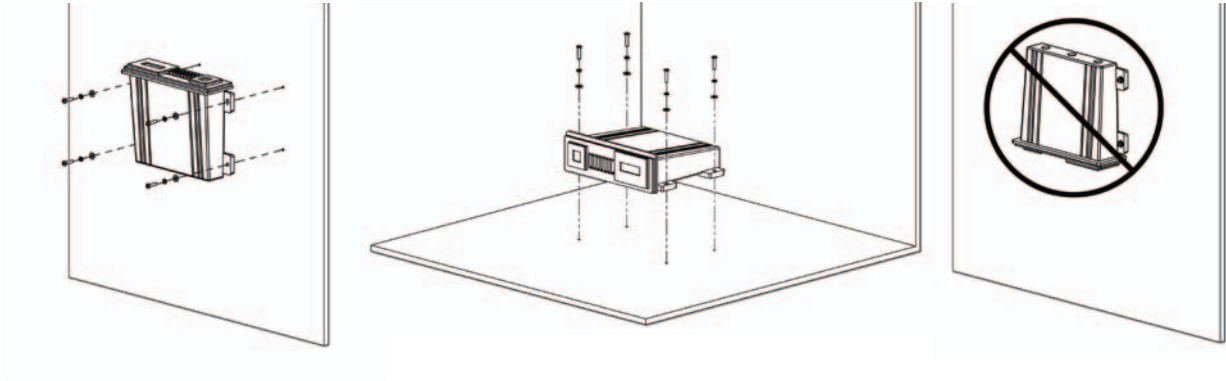
## Overview

In.stream dimensions:





Mount on a horizontal or vertical surface



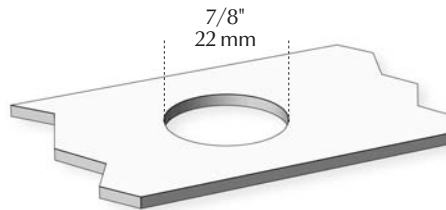
The in.stream system should be installed on an even horizontal or vertical surface.

Whether horizontal or vertical, this unit should be installed at a location above the flood level of the spa.

Do not install in.stream in the upright position as illustrated above.

Installation of in.k113 single switch

To install the in.k113 single switch, select the most appropriate location for the control switch and drill a 7/8" (22 mm) hole. Insert control switch into the hole. Tighten the nut to attach firmly (see illustration).

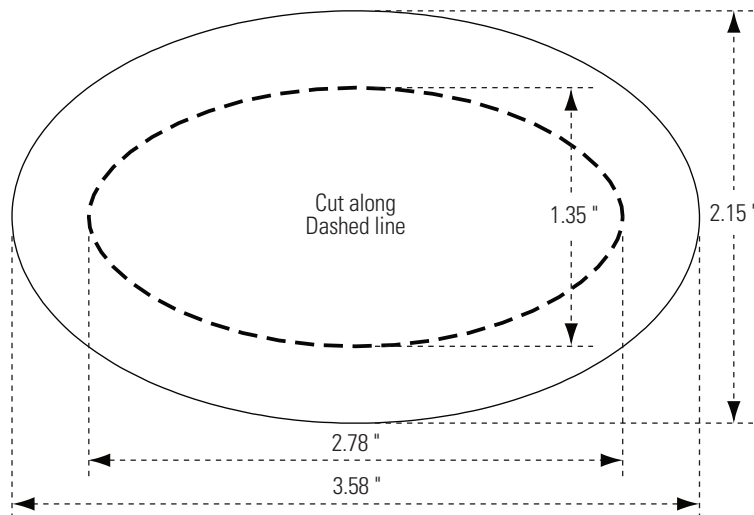
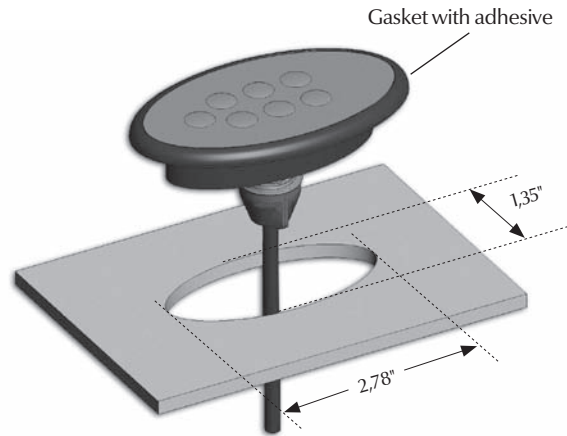






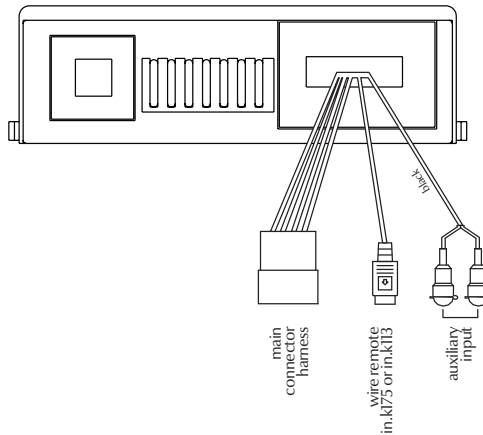
## Installation of in.k175 keypad with adhesive

To install the in.k175, select the most appropriate location for the keypad and use the drilling template to cut the surface. Clean the surface, peel the backing paper from the adhesive on the keypad and insert the in.k175 into the hole (see illustration).

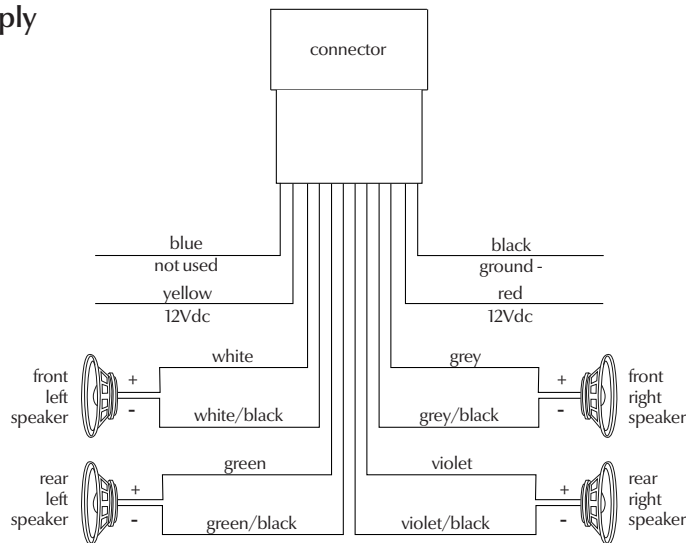




## Wiring diagram



## Speakers and supply



### Important note:

This unit must be supplied by a +12Vdc Limited Power source certified to UL 1585-3, Class 2 Wet or certified to UL/IEC/EN 60950-1.

### Yellow Wire (w/fuse)

Connect this wire to a constant +12V power source.

### Red Wire

Connect this wire to a constant +12V power source.

### Black Wire

Connect this wire to the ground of the power source.

### Blue Wire

Do not connect this wire. Unused wire.

### White wire

Connect this wire to the left front speaker (+) positive terminal or wire.

### White wire with Black stripe

Connect this wire to the left front speaker (-) negative terminal or wire.

### Grey wire

Connect this wire to the right front speaker (+) positive terminal or wire.

### Grey wire with Black stripe

Connect this wire to the right front speaker (-) negative terminal or wire.

### Green wire

Connect this wire to the left rear speaker (+) positive terminal or wire.

### Green wire with Black stripe

Connect this wire to the left rear speaker (-) negative terminal or wire.

### Purple wire

Connect this wire to the right rear speaker (+) positive terminal or wire.

### Purple wire with Black stripe

Connect this wire to the right rear speaker (-) negative terminal or wire.

### Notes:

This unit is designed to connect 4 speakers: If the installation requires only 2 speakers, use the white and grey wire sets to connect the speakers.



## WARNING

Any wires left unconnected must be taped off or capped off to prevent shorting.

**DO NOT** connect speaker ground wires together.

**DO NOT** connect speaker ground wires to the chassis or to the power supply ground.

**DO NOT** connect front and rear speaker wires together.

**FAILURE TO FOLLOW ANY OF THESE WARNINGS WILL RESULT IN DAMAGE TO THIS UNIT AND VOIDS THE WARRANTY.**



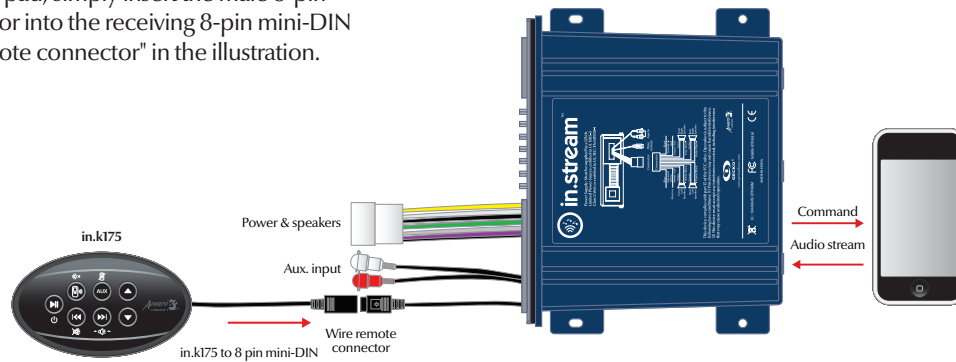
## Connecting the keypad to in.stream

### In.k175 configuration

The in.stream system can be connected to an in.k175 keypad. This keypad allows control of volume, mute, play, pause and track changes. The in.stream also has an auxiliary audio input, so it can provide the audio output for other, wired, accessories such as MP3 players or TVs.

The in.k175 keypad comes with a 20 ft cable with an 8-pin mini-DIN male connector.

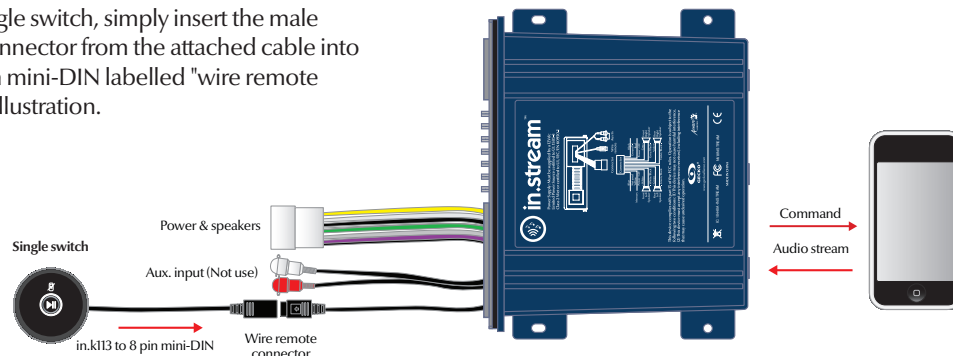
To connect the keypad, simply insert the male 8-pin mini-DIN connector into the receiving 8-pin mini-DIN labelled "wire remote connector" in the illustration.



### In.k113 configuration

The in.stream system can also be used without an in.k175 keypad. A simple in.k113 single switch can be used for the pairing function and to play/pause. All the other functions can be adjusted directly from your phone or iPod. Note that the auxiliary audio input is not available when the in.k113 switch is used.

To connect the single switch, simply insert the male 8-pin mini-DIN connector from the attached cable into the receiving 8-pin mini-DIN labelled "wire remote connector" in the illustration.





## Wireless set-up

### Pairing with a Bluetooth technology enabled device

The in.stream system is ready to pair when it is not already connected to another device. To pair your device with the in.stream, first make sure you are close enough to the in.stream system, and that it is turned on.

1. Open the Bluetooth settings on your device.  
The location of the settings will depend on the device you are using.
2. In these settings, turn Bluetooth on, if it is not already.
3. Choose "Gecko in.stream" from the list of available devices.
4. When prompted, enter 5555 as the password.

Your device should now be paired with the in.stream system, and ready to use.

The in.stream will keep up to 8 devices in its memory. If one of these devices is in range and has its Bluetooth turned on it will automatically pair with in.stream. If the number of devices used with your in.stream exceeds 8 the first device in its memory will automatically be erased. The device can easily be added again by following the steps for pairing.

It is possible to erase all pairing information from the memory by holding down the AUX button or the single switch for 10 seconds and then releasing.

If more than one device tries to connect to the in.stream system, the priority goes to the first device that is available during searching.

### Connecting to a Bluetooth technology enabled device

Once the pairing is done and connection has been established between the devices, the in.stream will be ready to start playing the selected audio. If the device moves out of range and loses connection it should reconnect automatically as soon as it is close enough. This should happen without going through the menu again.

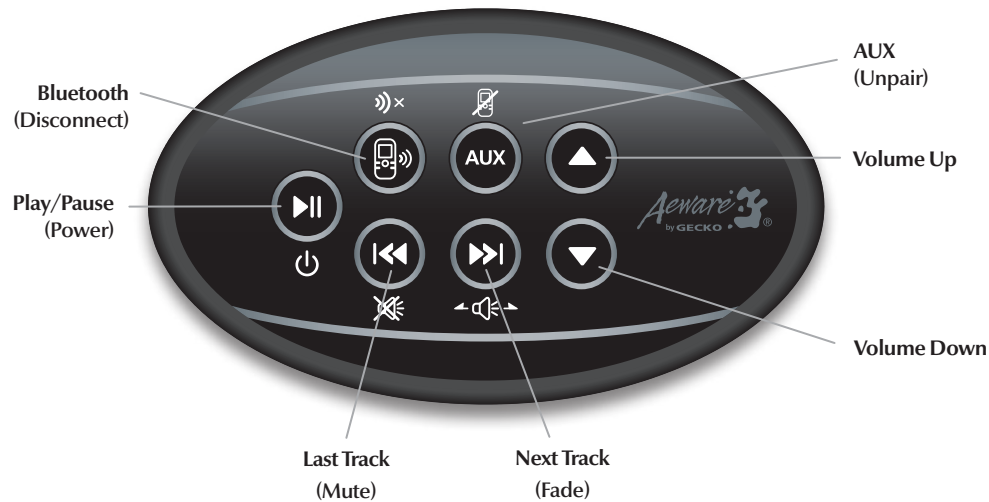


Not Connected

Connected



## Basic operation/in.k175



If you are using a device with Bluetooth technology, it must be connected for functions to work.

Please note that the Play/Pause and Change Track functions apply to devices using Bluetooth technology only, and will not work when AUX is selected as the source.

### Turning power on/off

When connected to a power source the unit will automatically be ON. Pressing and holding the Play/Pause button will turn the unit off. Once the unit is off, press any button to turn it back on.

### Selecting the source

Press the Bluetooth button to select a device using Bluetooth wireless technology.

Press the AUX button to use a device connected to the auxiliary cable.

If no source is selected, the in.stream system will use the last selected source.

### Play/Pause audio

Press the Play/Pause button to start or pause the audio.

### Adjusting the volume

Press the Volume Up or the Volume Down keys to increase or decrease the volume.

### Mute

Hold down the Last Track key to mute, and again to unmute.

### Changing tracks

Press the Last Track or the Next Track keys to change tracks.

### Erase pairing

Press and hold the AUX key for 10 seconds to erase all pairings stored in the system.

### Disconnect current device

Press and hold the Bluetooth key for 10 seconds to disconnect the current wireless device from the in.stream system. Note that this will not erase the pairing from the system's memory.

### Fader

Press and hold the Next Track key to adjust fader settings (Rear, Front, All)



## Basic operation/in.k113



### Single switch operation

It is possible to connect a single switch instead of a full keypad. The single switch can be used to play/pause, and erase pairings.

### Operation with the single switch:

#### Play/Pause

The first single press on the key will send the wireless play/pause command to the remote device. A second press on the key will send the command again, so the user can play and pause with successive presses.

### Erase all pairings

Press and hold the the key for 10 seconds to erase all pairings from the in.stream memory.

### Turning power On/Off

Please note that the unit will remain ON while being used in single switch mode. There will be no way to turn it OFF.



## Specifications

### Part number

0704-100002

### Environmental:

Operating temperature:	60°C (140°F) to -20°C (-4°F)
Storage temperature:	85°C (185°F) to -30°C (-22°F)
Humidity:	Up to 70% condensing
Water ingress protection:	IPX-5

### Mechanical:

Weight:	1,3 LBS (0,6 kg)
Dimensions (W x H x D):	8 ¼" x 6 ¾" x 2 ½" (210mm x 171mm x 64mm)

### Electrical specifications

Input voltage:	13.8Vdc typical (10-14.5V)
Max input current:	Up to 10A <sup>1</sup>
Speaker impedance:	4Ω or 8Ω.

<sup>1</sup> The current must be limited at the in.stream input with 5A fuse.

### Audio specifications

Audio source supported:	Bluetooth streaming and Auxiliary input
Maximum power output:	40W x 4 ch (160W total)

### Auxiliary input specification

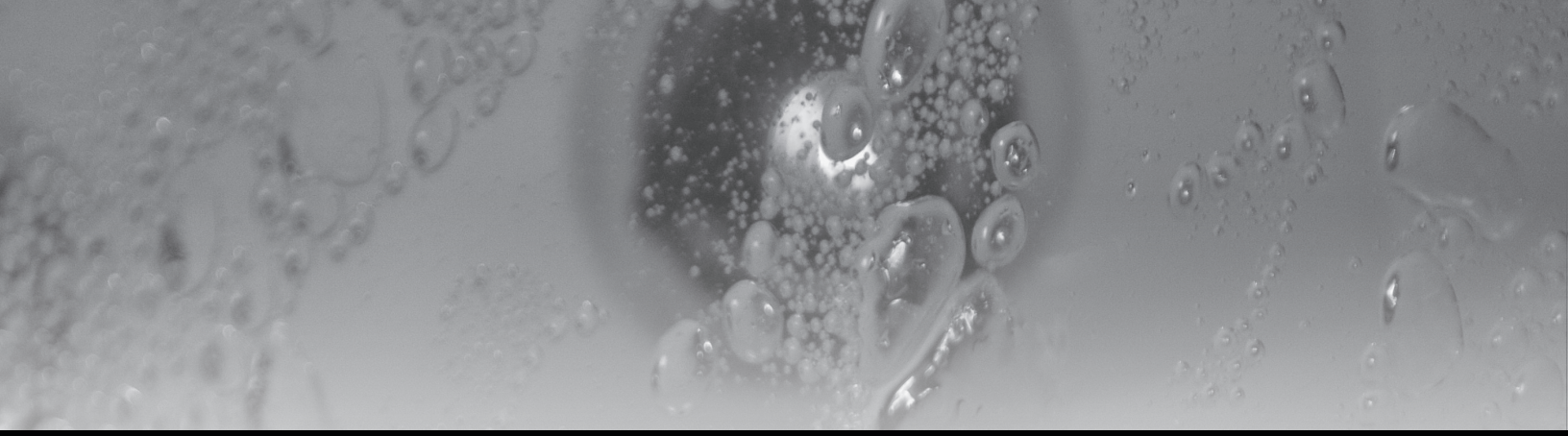
Stereo:	Yes
Connection type:	2 x RCA L + R

### Compatibility

Portable devices with Bluetooth v2.0 A, AVDTP

### Applicable standards

FCC  
ROHS



Gecko Alliance

450 des Canetons, Quebec City (Qc), G2E 5W6 Canada, 1.800.78.GECKO  
9225 Stellar Court, Corona, CA 92883 USA, 951.667.2000

[www.geckoalliance.com](http://www.geckoalliance.com)

9919-101176-D  
Rev. 07-2012

© Groupe Gecko Alliance Inc., 2012  
All trademarks or registered trademarks  
are the property of their respective owners.



Printed in China 07-2012