

Spa Pump

Circulation Pump



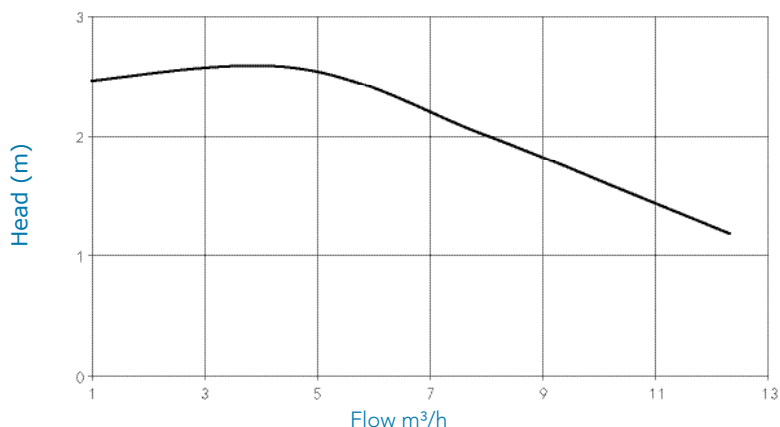
Features

- Compact design for easy installation
- Class F insulation
- Nearly silent operation assures a peaceful spa experience
- All seals are carbon ceramic with Viton® elastomers for long-lasting performance, easily enduring prolonged heat and chemical exposure
- Center suction / radial side discharge
- Multi-directional volute mounting provides the flexibility to accommodate any plumbing configuration
- Supplied with 1.3 m cable with AMP plug

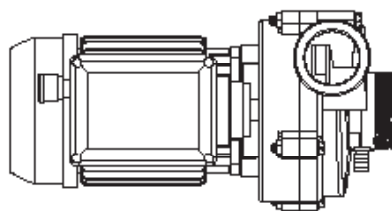
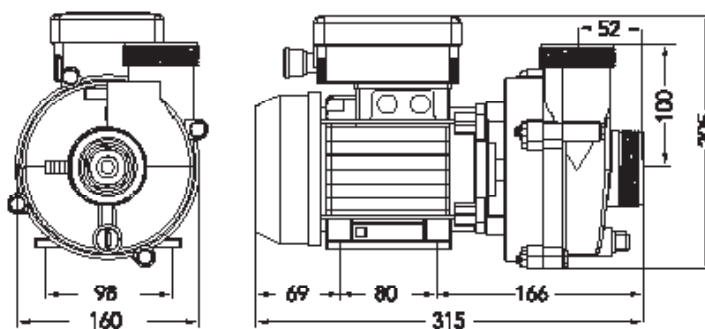
Approvals

The Circulation pumps are TÜV approved according to European norms EN60335-1 and EN60335-2-41.

Performance Curve



Dimensions



Dimensions in mm

Your Single Source Solution

p +45 75 22 46 88 (International) | f +45 75 22 52 45 | email info@hydroair.dk

We reserve the right to change technical data without further notice.
No copies authorised. All rights reserved. ©2016 Balboa Water Group.

Circulation Pump, 0.25HP

MATERIAL NO.	POWER (P1)	V/HZ/AMP	CABLE
1030025	0.2kW/0.25HP	230V/50Hz/0.8A	1.3 m with AMP plug



PUMP UNION

Material No.:

- 92015M 50 mm ID union. White PVC/ABS
- 2614022 1 1/2" ID. White PVC/ABS