

**AQUATIC AV®**

products with watertight reputation

'HIDE-AWAY' MEDIA PLAYER  
for Bluetooth

USER / INSTALLATION MANUAL



PLEASE READ THIS INSTRUCTION MANUAL BEFORE  
INSTALLATION AND OPERATION



**1.1 Contents**

- BC Basic Media Player
- Owner's Manual

**1.2 Connections**

**1: 12-pin Watertight Harness**

The 12-pin harness supplies power and ground connection to the BlueCube+ Media Player and four (4) speaker channel output connections from the BlueCube+ Media Player.

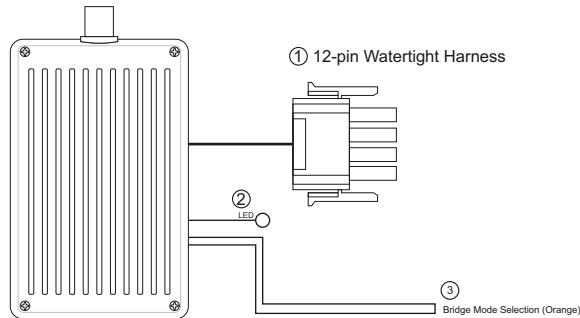
*Do not cut or modify the 12-pin harness on the unit side or warranty will be void.*

**2: Power On LED**

When the BlueCube is powered On, the LED will lit.

**3: Bridge Mode Wire**

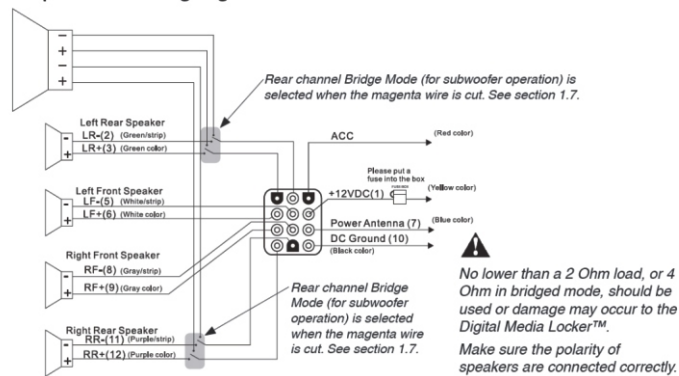
Cut the wire so that the rear right and rear left channel becomes the subwoofer output.



**1.3 12-pin Harness Connection**

The AQ-BC-6BT includes the universal harness AQ-UHN-2 in order to connect the BlueCube to power and speakers.

All open wire connections should be soldered and protected against water and dust for best long term performance.



### 1.4 Power On

The BC Basic requires +12V dc to both the red and yellow wires. When both of these wires have power, the BC Basic is always powered on and is indicated by a red LED coming out of the heatsink of the stereo. Ground is connected to the Black wire.

In a SPA application, this requires the red and yellow wires to be jumped together and then connected to +12V dc output of the power source. In this set up, the BC Basic will always be on, with a very low current draw when idle.

In a boat, ATV or other application requiring power from a battery, the yellow wire (constant power) should be connected to the battery, and the red wire connected to the ignition or a switch.

For detailed instructions, you can check out our online video:  
"How to wire your Aquatic AV stereo system"  
<http://www.aquaticav.com/support/videos>

### **2.1 Listening via Bluetooth**

#### **2.2.1 Pair with Bluetooth Device**

1. Switch on your Bluetooth device.
2. Select 'AQUATIC AV BC310' from the list of available devices to pair (no password is needed).

#### **2.2.2 Listening via Bluetooth Device**

1. Play the song from device and the sound will play through the BC Basic Media Player.
3. Track and volume can be controlled directly from your Bluetooth device.

#### **2.2.3 Multi-link**

A second Bluetooth device can always pair to the BlueCube Media Player even when it has been paired to another Bluetooth device.

3.1 Connecting Multiple Amplifiers or High Current Draw Lighting Systems

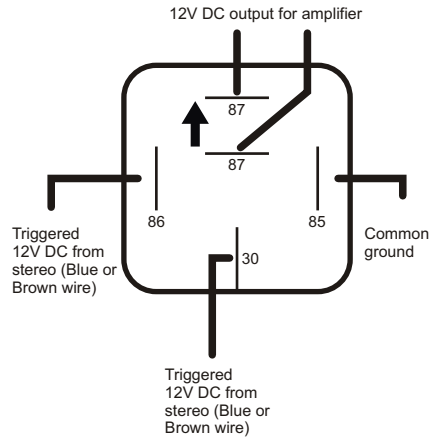
**Wiring a Single Pole Single Throw (SPST) Relay**

The SPST is necessary to protect the stereo in systems with multiple amplifiers. The AQ-BC-6UBT remote and trigger wire provide 2A max current. While this is enough to power a single amplifier, complex systems with multiple amplifiers will require a SPST relay.

**Position 30:** requires 12VDC from the main power source (12V battery, power supply etc). This should be the same power source that is powering your stereo.

**Position 85:** this is where you connect your ground from your power source (12V battery, power supply, etc.) This should be the same ground reference as your stereo.

**Position 86:** position 86 is triggered 12V, and is sent when your stereo is powered on.



For Aquatic AV stereos, position 86 can be connected to either the blue remote wire in the harness or the brown 12V trigger on the rear of the unit. There differences are below:

**Blue (recommended):** The blue (remote wire) provides a 12V DC output when the stereo is powered on. Meaning as soon as the stereo is powered on, the blue wire sends 12V DC through the relay powering on the amplifier.

**Brown:** The brown (12V Trigger) provides 12V DC output when it is triggered via the lightning bolt icon on the faceplate or handheld remote. This setup is more advantageous in a more complex system with several zones, as it gives you control of when an amplifier is on or off.

**Position 87:** this is 12V DC output that you will provide 12V DC to the remote turn on to the amplifiers in your system.

## Specifications & Dimensions

BC Basic Media Player

### 4.1 Specifications

#### Media

Supported media iPhone/iPod or Devices support Bluetooth A2DP  
Device charging via Bluetooth Device

#### Power

Output voltage @2 Ohm	4x 72W
Output voltage @4 Ohm	4x 45W
Operation voltage	9.6V - 14.4V
Max current draw	7A
Standby current draw	6mA

#### Multi-Environment Certifications

Waterproof / Dustproof	Yes IP65
Conformal PCB coating	Yes
UV Protection	500 hours stable. ASTM D4329 compliant
Salt/Frog protection	500 hours stable. ASTM B117 compliant
Stainless steel mountings	Yes

### MADE IN CHINA

This equipment has been tested and found to comply with the limits for a Class B digital device, pursuant to Part 15 of the FCC Rules. These limits are designed to provide reasonable protection against harmful interference in a residential installation. This equipment generates, uses and can radiate radio frequency energy and, if not installed and used in accordance with the instructions, may cause harmful interference to radio communications. However, there is no guarantee that interference will not occur in a particular installation. If this equipment does cause harmful interference to radio or television reception, which can be determined by turning the equipment off and on, the user is encouraged to try to correct the interference by one of the following measures:

1. Reorient or relocate the receiving antenna.
2. Connect the equipment into an outlet on a circuit different from that to which the receiver is connected.
3. Increase the separation between the equipment and receiver.
4. Consult the dealer or an experienced radio/TV technician for help.

#### FCC Caution:

Any changes or modifications not expressly approved by the party responsible for compliance could void the user's authority to operate this equipment.

This device complies with Part 15 of the FCC Rules. Operation is subject to the following two conditions: (1) This device may not cause harmful interference, and (2) this device must accept any interference received, including interference that may cause undesired operation.