

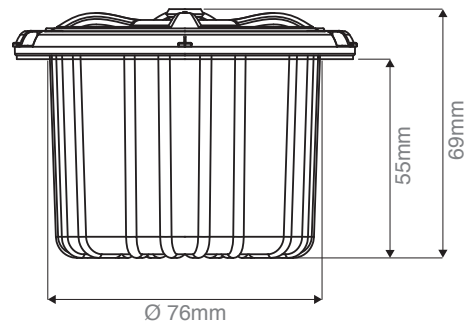
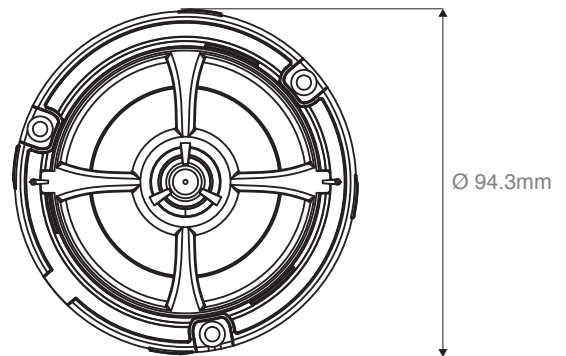
AQ-SPK3.0-4C 3" COAXIAL FULL-RANGE COMPACT SPEAKER



SPECIFICATIONS

Waterproof:	Yes
Type:	3" full-range coaxial, compact speaker
Cone Size:	3"
Tweeter Size:	3/4"
Outside Diameter:	94.3mm
Mounting Hole Diameter:	76mm
Mounting Depth:	55mm
Impedance:	4 Ohm
Frequency Response:	120Hz - 20,000 Hz
Power (max):	45W
Power (RMS):	30W
Basket Material:	UV Plastic, 500hrs stable
Cone Material:	ABS
Rubber Surround Material:	Yes
Magnet Material:	Ferrite
Magnet Protection:	Plastic water guard
Certification	RoHS, ASTM B117, ASTM D4329
Accessories:	Grills: AQ-SPG3.0 & AQ-SPG3.0-DB (both sold separately)
Additional Features:	Stainless Steel mounting hardware

DIMENSIONS



Aquatic AV

282 Kinney Drive
San Jose, CA 95112, USA

E-mail: info@aquaticav.com

US & Canada: 1 877 579 2782

International: +1 408 559 1668

Fax: +1 408 559 0125

www.aquaticav.com

Design and specification subject to change without notice.E&OE