

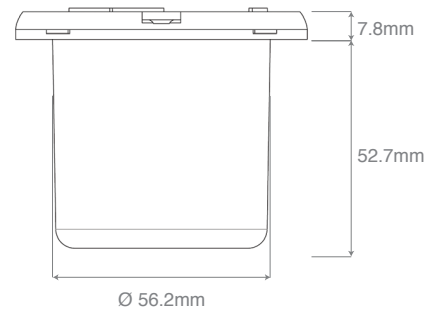
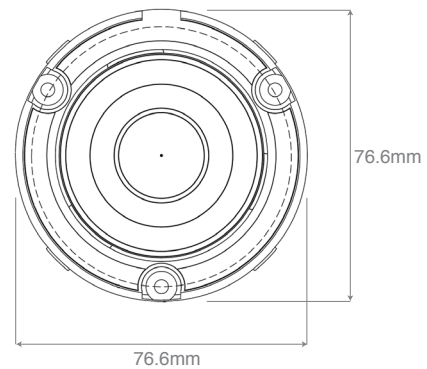
## AQ-SPK2.0UN-4 2" FULL RANGE WATERPROOF SPEAKER



### SPECIFICATIONS

Type:	2" Full range, compact speaker
Cone Size:	2"
Outside Diameter:	76.6mm
Mounting Hole Diameter:	56.2mm
Mounting Depth:	52.7mm
Impedance:	4 Ohm
Frequency Response:	200Hz - 20,000 Hz
Power (max):	60W
Power (RMS):	30W
Waterproof:	Yes
Basket Material:	ABS Plastic, 500hrs stable
Cone Material:	Polypropylene
Rubber Surround:	Yes
Magnet Material:	PP Mica
Magnet Protection:	Plastic water guard
Weight (single speaker):	240g
Certification	RoHS, ASTM B117, ASTM D4329
Additional Features:	Removable grill (sold separately)

### DIMENSIONS



### Aquatic AV

282 Kinney Drive  
San Jose, CA 95112, USA

E-mail: [info@aquaticav.com](mailto:info@aquaticav.com)

US & Canada: 1 877 579 2782

International: +1 408 559 1668

Fax: +1 408 559 0125

[www.aquaticav.com](http://www.aquaticav.com)

Design and specification subject to change without notice.E&OE