

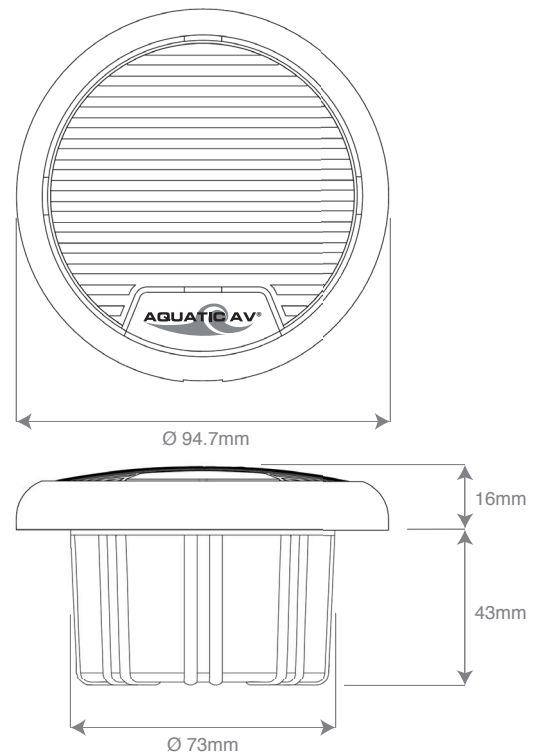
AQ-SPK3.0-4S 3" FULL-RANGE COMPACT SPEAKER



Specifications:

Waterproof:	Yes
Type:	3" full-range, compact speaker
Cone Size:	3"
Outside Grill Diameter:	94.7mm
Mounting Hole Diameter:	73 mm
Mounting Depth:	43 mm
Impedance:	4 Ohm
Frequency Response:	125Hz - 20,000 Hz
Power (max):	60W
Power (RMS):	30W
Grill Material:	UV Plastic, 500hrs stable
Basket Material:	UV Plastic, 500hrs stable
Cone Material:	Polypropylene
Rubber Surround Material:	Yes
Magnet Material:	4oz Ferrite
Magnet Protection:	Plastic water guard
Weight (single speaker):	0.289 kg
Certification	RoHS, ASTM B117, ASTM D4329
Accessories:	Silver Grills (included)
Additional Features:	Stainless Steel mounting hardware

Dimensions:



Design and specification subject to change without notice.E&OE

Design and specification subject to change without notice.E&OE

Aquatic AV

282 Kinney Drive
San Jose, CA 95112, USA

E-mail: info@aquaticav.com

US & Canada: 1 877 579 2782

International: +1 408 559 1668

Fax: +1 408 559 0125

www.aquaticav.com